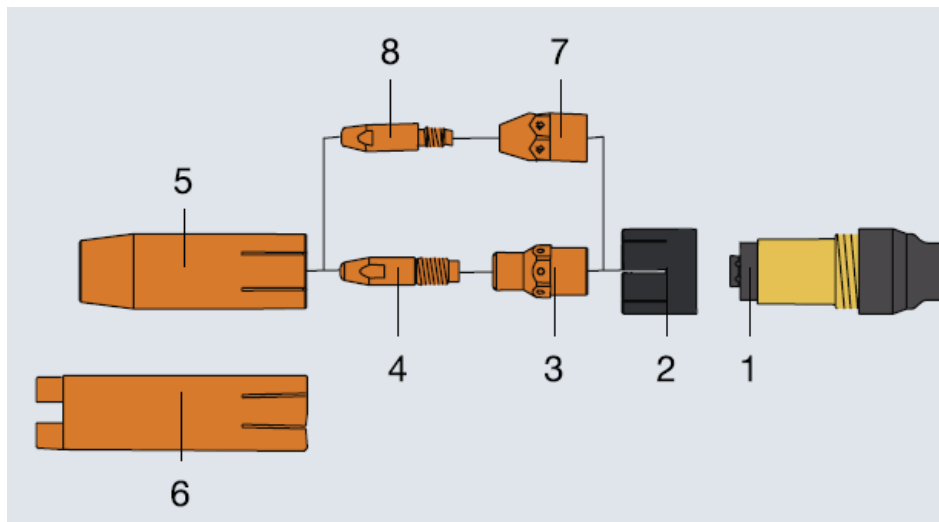




Consommables AW 4000

Entreprise: _____
 Nom: _____
 Adresse: _____

 Tél: _____
 E-Mail: _____



Consommables:

Pos.	Pce(s)	Designation	No d'article
1		<i>Anneaux d'isolation</i>	
___	pce(s)	Anneau d'isolation $\varnothing 14/\varnothing 16,9 \times 11$ (AW 4000, Multilock)	42,0100,1010
___	pce(s)	Anneau d'isolation $\varnothing 14/\varnothing 16,9 \times 11,2$ téflon	42,0100,1221
2	___	pce(s) Douille de fixation $\varnothing 22/\varnothing 25 \times 22$	42,0001,2930

3 ___ pce(s) Support tube-contact M8 42,0001,5084

4 *Tubes-contact M8 industriels*

Pour acier, inox et alliages spéciaux

___ pce(s) Tube-contact 0,8/M8/ø8x35 42,0001,2911
 ___ pce(s) Tube-contact 0,9/M8/ø8x35 42,0001,3082
 ___ pce(s) Tube-contact 1,0/M8/ø8x35 42,0001,2912
 ___ pce(s) Tube-contact 1,2/M8/ø8x35 42,0001,2913

Tubes-contact M8 industriels (ZB = alésage central)

Pour alu et CuSi

___ pce(s) Tube-contact 0,8/M8/ø8x35/ZB4,1 42,0001,5082
 ___ pce(s) Tube-contact 0,9/M8/ø8x35/ZB4,1 42,0001,3653
 ___ pce(s) Tube-contact 1,0/M8/ø8x35/ZB4,1 42,0001,5051
 ___ pce(s) Tube-contact 1,2/M8/ø8x35/ZB4,1 42,0001,5052
 ___ pce(s) Tube-contact 1,4/M8/ø8x35/ZB4,1 42,0001,5053
 ___ pce(s) Tube-contact 1,6/M8/ø8x35/ZB4,8 42,0001,3485

Tubes-contact M8 standards

___ pce(s) Tube-contact 0,8/M8/ø8x35 SQ 42,0001,3644
 ___ pce(s) Tube-contact 0,9/M8/ø8x35 SQ 42,0001,3645
 ___ pce(s) Tube-contact 1,0/M8/ø8x35 SQ 42,0001,3646
 ___ pce(s) Tube-contact 1,2/M8/ø8x35 SQ 42,0001,3647

5 *Buses de gaz:*

___ pce(s) Buse de gaz conique ø15,2/ø22x67 42,0001,5269
 ___ pce(s) Buse de gaz conique ø13/ø22x65 isolé 42,0001,5619
 ___ pce(s) Buse de gaz conique ø13/ø22x67 isolé 42,0001,5096
 ___ pce(s) Buse de gaz conique ø11/ø22x67 isolé 42,0001,5151
 ___ pce(s) Buse de gaz cylindrique ø17/ø22x67 isolé 42,0001,5821

6 *Buse de gaz pour pointage:*

___ pce(s) Buse de gaz pour pointage ø18/ø22x82 isoliert 44,0350,2070

7 ___ pce(s) Support tube-contact M6 42,0001,5251

8

Tubes-contact M6 industriels

Pour acier, inox et alliages spéciaux

___ pce(s)	Tube-contact 0,6/M6/ø6x33	42,0001,0052
___ Pce(s)	Tube-contact 0,8/M6/ø8x33	42,0001,0053
___ Pce(s)	Tube-contact 0,9/M6/ø8x33	42,0001,3276
___ pce(s)	Tube-contact 1,0/M6/ø8x33	42,0001,0054
___ pce(s)	Tube-contact 1,2/M6/ø8x33	42,0001,0055
___ pce(s)	Tube-contact 1,4/M6/ø8x33	42,0001,1929
___ pce(s)	Tube-contact 1,6/M6/ø8x33	42,0001,0056

Tubes-contact M6 standards

___ pce(s)	Tube-contact 0,8/M6/ø8x33 SQ	42,0001,3648
___ pce(s)	Tube-contact 0,9/M6/ø8x33 SQ	42,0001,3649
___ pce(s)	Tube-contact 1,0/M6/ø8x33 SQ	42,0001,3650
___ pce(s)	Tube-contact 1,2/M6/ø8x33 SQ	42,0001,3651

Cols de cygne:

Pos.	Pce(s)	Désignation	No d'article
9		<i>Cols de cygne Multilock</i>	
___	pce(s)	Multilock AL3000/AW4000 0° L=172,5	34,0350,1852
___	pce(s)	Multilock AL3000/AW4000 15° L=171,5	34,0350,1853
___	pce(s)	Multilock AL3000/AW4000 30° L=163,5	34,0350,1854
___	pce(s)	Multilock AL3000/AW4000 45° L=148,0	34,0350,1855
10		<i>Corps de torche, torche manuelle</i>	
___	pce(s)	Corps de torche AW4000 45°	34,0350,1812

Gaines et pièces de rechanges pour polygaines:

Pos.	Pce(s)	Désignation	No d'article
11		<i>Gaines acier nues</i>	
		<i>Branchement Fronius</i>	
___	pce(s)	Gaine acier nue 0,8/3,5 m	42,0404,0188
___	pce(s)	Gaine acier nue 0,8/4, 5m	42,0404,0189
___	pce(s)	Gaine acier nue 1,0/3,5 m	42,0404,0244
___	pce(s)	Gaine acier nue 1,0/4,5 m	42,0404,0245
___	pce(s)	Gaine acier nue 1,2/3,5 m	42,0404,0174
___	pce(s)	Gaine acier nue 1,2/4,5 m	42,0404,0181
___	pce(s)	Gaine acier nue 1,6/3,5 m	42,0404,0184
___	pce(s)	Gaine acier nue 1,6/4,5 m	42,0404,0185
		<i>Branchement euro/Binzel</i>	
___	pce(s)	Gaine acier nue 0,8/3,5 m/E	42,0404,0222
___	pce(s)	Gaine acier nue 0,8/4,5 m/E	42,0404,0223
___	pce(s)	Gaine acier nue 1,0/3,5 m/E	42,0404,0295
___	pce(s)	Gaine acier nue 1,0/4,5 m/E	42,0404,0296
___	pce(s)	Gaine acier nue 1,2/3,5 m/E	42,0404,0226
___	pce(s)	Gaine acier nue 1,2/4,5 m/E	42,0404,0227
___	pce(s)	Gaine acier nue 1,6/3,5 m/E	42,0404,0230
___	pce(s)	Gaine acier nue 1,6/4,5 m/E	42,0404,0231
12		<i>Gaines téflon/bronze (combi)</i>	
		<i>Branchement Fronius</i>	
___	pce(s)	Gaine téflon/bronze (combi) 0,6-0,8/1,5 m	44,0350,2305
___	pce(s)	Gaine téflon/bronze (combi) 0,6-0,8/2,5 m	44,0350,2306
___	pce(s)	Gaine téflon/bronze (combi) 0,6-0,8/3,5 m	44,0350,2307
___	pce(s)	Gaine téflon/bronze (combi) 0,6-0,8/4,5 m	44,0350,2308
___	pce(s)	Gaine téflon/bronze (combi) 1,0/1,5 m	44,0350,1607
___	pce(s)	Gaine téflon/bronze (combi) 1,0/2,5 m	44,0350,1608
___	pce(s)	Gaine téflon/bronze (combi) 1,0/3,5 m	44,0350,1609
___	pce(s)	Gaine téflon/bronze (combi) 1,0/4,5 m	44,0350,1650

___ pce(s)	Gaine téflon/bronze (combi) 1,2/1,5 m	44,0350,1604
___ pce(s)	Gaine téflon/bronze (combi) 1,2/2,5 m	44,0350,1605
___ pce(s)	Gaine téflon/bronze (combi) 1,2/3,5 m	44,0350,1606
___ pce(s)	Gaine téflon 1,2/3,5 m/40 mm gaine bronze	44,0350,2029
___ pce(s)	Gaine téflon/bronze (combi) 1,2/4,5 m	44,0350,1651
___ pce(s)	Gaine téflon 1,2/4,5 m/40 mm gaine bronze	44,0350,2594
___ pce(s)	Gaine téflon/bronze (combi) 1,6/1,5 m	44,0350,1610
___ pce(s)	Gaine téflon/bronze (combi) 1,6/2,5 m	44,0350,1611
___ pce(s)	Gaine téflon/bronze (combi) 1,6/3,5 m	44,0350,1612
___ pce(s)	Gaine téflon/bronze (combi) 1,6/4,5 m	44,0350,1665

Branchement euro/Binzel

___ pce(s)	Gaine téflon/bronze (combi) 0,6-0,8/1,5m/E	44,0350,2326
___ pce(s)	Gaine téflon/bronze (combi) 0,6-0,8/2,5 m/E	44,0350,2327
___ pce(s)	Gaine téflon/bronze (combi) 0,6-0,8/3,5 m/E	44,0350,2328
___ pce(s)	Gaine téflon/bronze (combi) 0,6-0,8/4,5 m/E	44,0350,2329
___ pce(s)	Gaine téflon/bronze (combi) 1,0/1,5 m/E	44,0350,1630
___ pce(s)	Gaine téflon/bronze (combi) 1,0/2,5 m/E	44,0350,1631
___ pce(s)	Gaine téflon/bronze (combi) 1,0/3,5 m/E	44,0350,1632
___ pce(s)	Gaine téflon/bronze (combi) 1,0/4,5 m/E	44,0350,1652
___ pce(s)	Gaine téflon/bronze (combi) 1,2/1,5 m/E	44,0350,1633
___ pce(s)	Gaine téflon/bronze (combi) 1,2/2,5 m/E	44,0350,1634
___ pce(s)	Gaine téflon/bronze (combi) 1,2/3,5 m/E	44,0350,1635
___ pce(s)	Gaine téflon 1,2/3,5 m/E/40 mm gaine bronze	44,0350,2603
___ pce(s)	Gaine téflon/bronze (combi) 1,2/4,5 m/E	44,0350,1653
___ pce(s)	Gaine téflon 1,2/4,5 m/E/40 mm gaine bronze	44,0350,2604
___ pce(s)	Gaine téflon/bronze (combi) 1,6/1,5 m/E	44,0350,1636
___ pce(s)	Gaine téflon/bronze (combi) 1,6/2,5 m/E	44,0350,1637
___ pce(s)	Gaine téflon/bronze (combi) 1,6/3,5 m/E	44,0350,1638
___ pce(s)	Gaine téflon/bronze (combi) 1,6/4,5 m/E	44,0350,1658

13

Gaines téflon:

Branchement Fronius

___ pce(s)	Gaine téflon HQ 0,6-1,0/3,5 m	44,0350,0981
___ pce(s)	Gaine téflon HQ 1,2/3,5 m	44,0350,0983
___ pce(s)	Gaine téflon HQ 1,6/3,5 m	44,0350,1451
___ pce(s)	Gaine téflon HQ 2,0-2,4/3,5 m	44,0350,1452

Branchement euro/Binzel

__ pce(s)	Gaine téflon HQ 0,6-1,0/3,5 m/E	44,0350,1060
__ pce(s)	Gaine téflon HQ 1,2/3,5 m/E	44,0350,1062
__ pce(s)	Gaine téflon HQ 1,6/3,5 m/E	44,0350,1063
__ pce(s)	Gaine téflon HQ 2,0-2,4/3,5 m/E	44,0350,1474

14 *Buses d'entrée de fil*

__ pce(s)	Buse d'entrée de fil 0,8 mm	42,0001,0916
__ pce(s)	Buse d'entrée de fil 1,0 mm	42,0001,1743
__ pce(s)	Buse d'entrée de fil 1,2 mm	42,0001,1508
__ pce(s)	Buse d'entrée de fil 1,6 mm	44,0350,0084

15 __ pce(s)	O-Ring IØ 16,0 (<i>seulement Multilock</i>)	42,0402,0157
__ pce(s)	O-Ring IØ 8,0x2,0 (<i>seulement Multilock</i>)	42,0402,0156

Accessoires:

Pos.	Pce(s)	Désignation	No d'article
16	__ pce(s)	Gabarit en étui	44,0450,0584
17	__ pce(s)	Jauge de débit de gaz	43,0009,0007
18	__ pce(s)	Clé tube-contact SW7 M8/M6	42,0410,0570
19	__ set	Feutres de nettoyage (5 pces, sans pince)	44,0450,0067
20	__ pce(s)	Pince CO ² / pour buse 12-15 mm	42,0411,3002
	__ pce(s)	Pince CO ² / pour buse 15-18 mm	42,0411,3001

